

1959 - 60 CHEVROLET PASS. (ALL) OUTSIDE REAR VIEW MIRROR INSTRUCTION SHEET

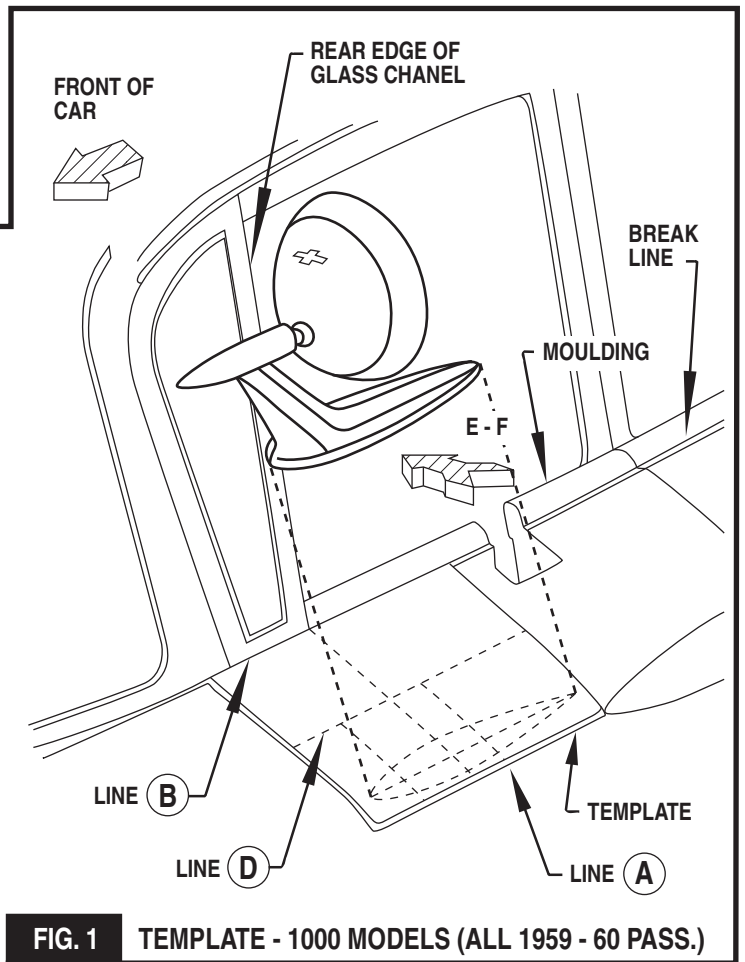
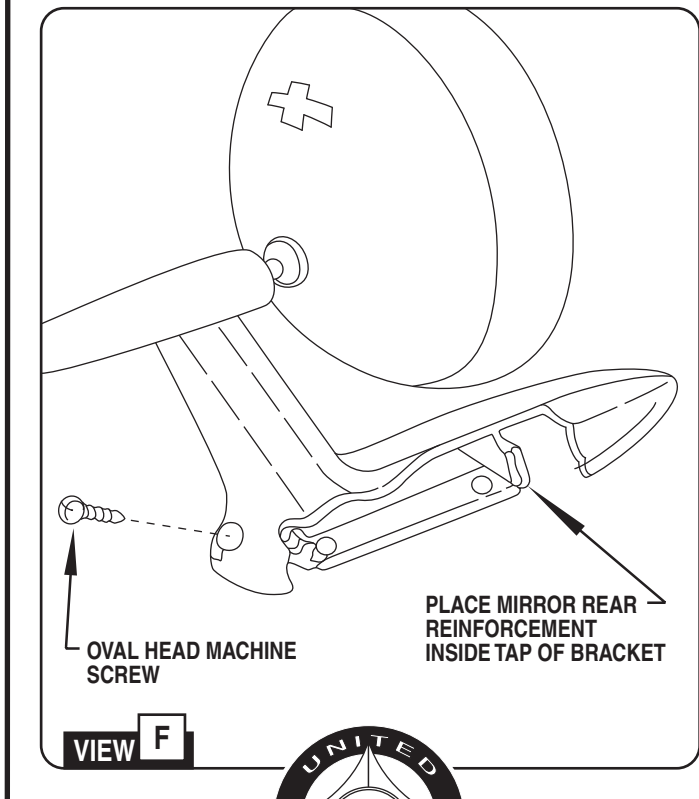
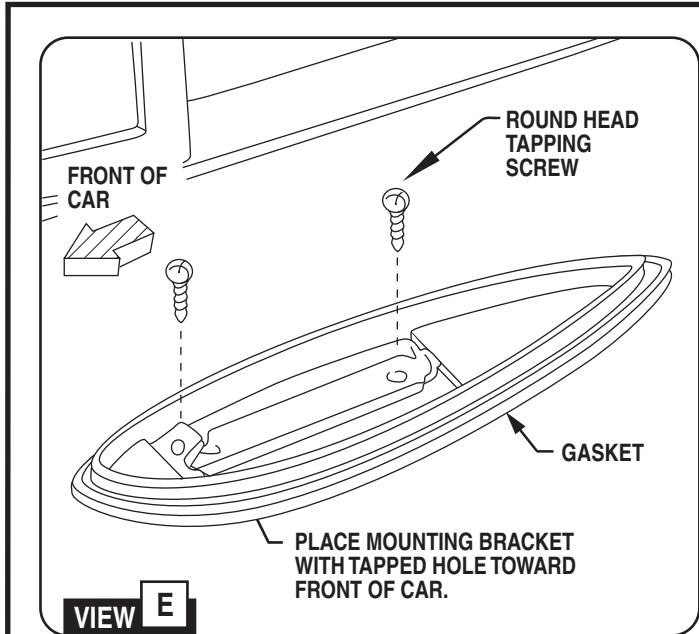


FIG. 1 TEMPLATE - 1000 MODELS (ALL 1959 - 60 PASS.)

ALL PASS. CARS (EXCEPT SEDAN DELIVER)

STEP 1 - PLACE TEMPLATE ON DOOR, SEE "FIG. 1" FOLLOW DIRECTIONS PRINTED ON TEMPLATE FOR DRILLING HOLES

STEP 2 - PLACE MOUNTING BRACKET ON CAR WITH TAPPED HOLE TOWARD FRONT OF CAR SEE "VIEW E" ATTACH MOUNTING BRACKET WITH TWO ROUND HEAD TAPPING SCREWS FURNISHED.

STEP 3 - PLACE GASKET OVER MOUNTING BRACKET.

STEP 4 - PLACE MIRROR ON GASKET, SECURING REAR REINFORCEMENT (INSIDE MIRROR BASE) AGAINST INSIDE OF REAR TAB OF MOUNTING BRACKET. SEE "VIEW F" INSTALL CHROME OVAL HEAD MACHINE SCREW INTO MOUNTING BRACKET & TIGHTEN.

FOR SEDAN DELIVERY

STEP 1 - LOCATE TWO EXISTING 1/8 INCH DIAMETER HOLES INDOOR & CONTINUE INSTLLATION DESCRIBED IN PRECEDING STEPS 2. 3. 4.

